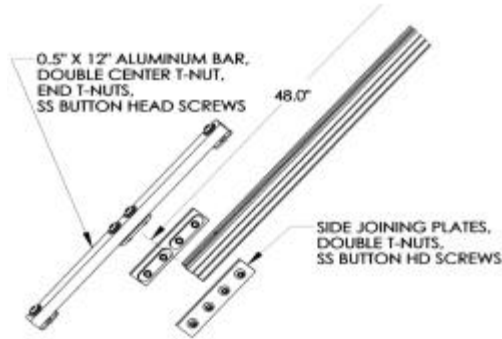


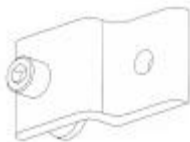
1.0" RAIL KITS			
Stock No.	Description	Function	List Price
RAIL-10-00	1.0" Rail Kit	1-Pc. 1" x 6' long rail, Rocket Stop, 0.5" Mount Rod, 3/16" Allen Key & all Hrdw. Ships UPS.	\$ 63.00
RAIL-10-01	1.0" Rail Only	1-Pc. 1" x 6' long rail - extruded 6105-T5 aluminum	\$ 30.00
RAIL-10-02	1.0" Rocket Stop	One-bolt bracket holds rocket on rail up off blast plate, SS SHCS and zinc t-nut included	\$ 8.00
RAIL-10-03	1.0" Rail 4' Extension Kit	1-Pc. 1" x 4' long rail, side joining plates, and Hrdw. To make 10' 2-Pc. free-standing rail.	\$ 65.00
RAIL-10-04	1.0" Rail Connector Plates & Hrdw.	0.5" x 1.0" Aluminum bar, (2) side joining plates and SS Hrdw. For 2-Pc. rail.	\$ 45.00
RAIL-10-05	1.0" Rail Side Connector Plates & Hrdw. only	(2) Side joining plates and SS Hrdw. only. For 2-Pc. Rail mounted piggyback.	\$ 20.00
RAIL-10-06	1.0" Rail Piggyback Hrdw.	Mounts 1.0" rail on center of 1.5" rail face. (2) Hrdw. sets per rail section.	\$ 5.00
RAIL-10-10	1.0" Rail Only, 10' Long	1-Pc. 1" x 10' long rail. Must be supported along length with structural member or 1.5" rail. Use Piggyback Hrdw. Truck shipping.	\$ 40.00
RODS-05-01	0.50" x 18" SS Rod & Hrdw.	Adapts 1.0" Rail to any pad that accepts a 0.50" rod	\$ 25.00



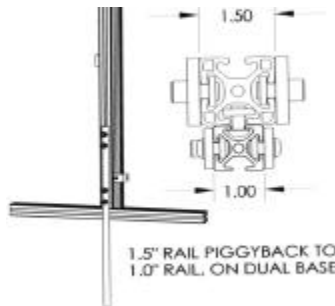
1.0" RAIL KIT #RAIL-10-00



1.0" RAIL 4' EXTENSION #RAIL-10-03



ROCKET STOP #RAIL-10-02



1.5" RAIL PIGGYBACK TO 1.0" RAIL, ON DUAL BASE