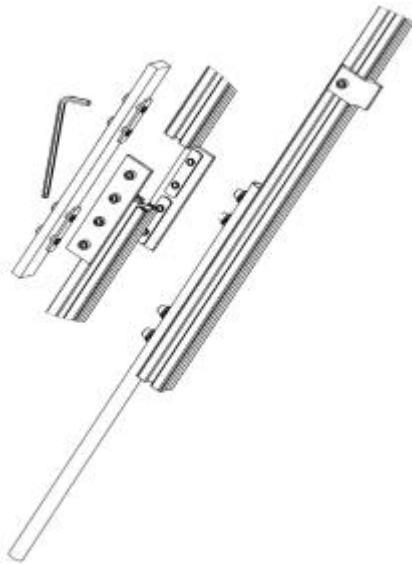


# X-ROCKETS

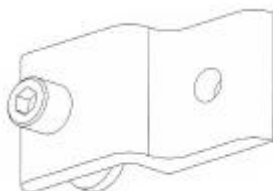
## LAUNCH SYSTEMS

440-235-0213 WWW.X-ROCKETS.COM  
ROKTMAN@AMERITECH.NET

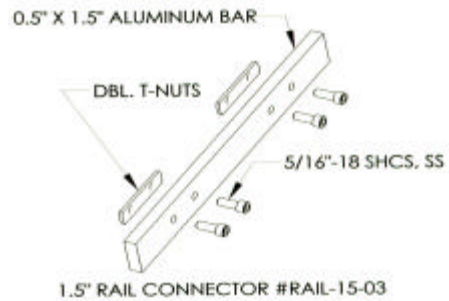
1.5" RAIL KITS			
Stock No.	Description	Function	List Price
RAIL-15-00	1.5" Rail Kit	2-Pc. 1.5" x 10' long rail, connector plates, Rocket Stop, Mount Pipe, 1/4" Allen Key & all Hrdw. Ships UPS.	\$ 175.00
RAIL-15-01	1.5" 2-Pc. Rail & Connector Plates only	2-Pc. 1.5" x 10' long rail - extruded 6105-T5 aluminum, rail connector, joining plates, SS hardware, 1/4" ball-end Allen wrench.	\$ 140.00
RAIL-15-02	1.5" Rocket Stop	One-bolt bracket holds rocket on rail up off blast plate, SS SHCS and zinc t-nut included.	\$ 8.00
RAIL-15-03	1.5" Rail Connector Plates & Hrdw.	0.5" x 1.5" Aluminum bar, (2) side joining plates and SS Hrdw. for 2-Pc. Rail	\$ 45.00
RAIL-15-10	1.5" 1-Pc. Rail Cut-to-Length, 10'	1-Pc. 1.5" x Ft. "Lite" extruded aluminum rail, 10' Long. Truck Shipping.	\$ 75.00
RAIL-15-XX	1.5" Rail Cut-to-Length, Ft.	1-Pc. 1.5" x Ft. "Lite" or Std. extruded aluminum rail, cut to length. 20' Max. Special Shipping.	\$ Call
RODS-75-02	0.75" x 24" SS Pipe & Hrdw.	Adapts 1.5 Rail to any pad that accepts a 0.75" rod	\$ 35.00



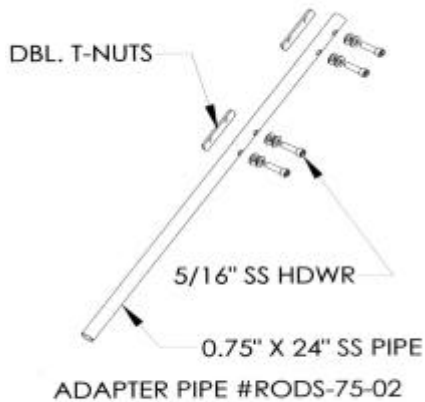
1.5" RAIL KIT #RAIL-15-00



ROCKET STOP #RAIL-15-02



1.5" RAIL CONNECTOR #RAIL-15-03



ADAPTER PIPE #RODS-75-02