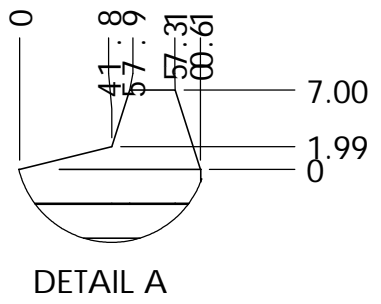
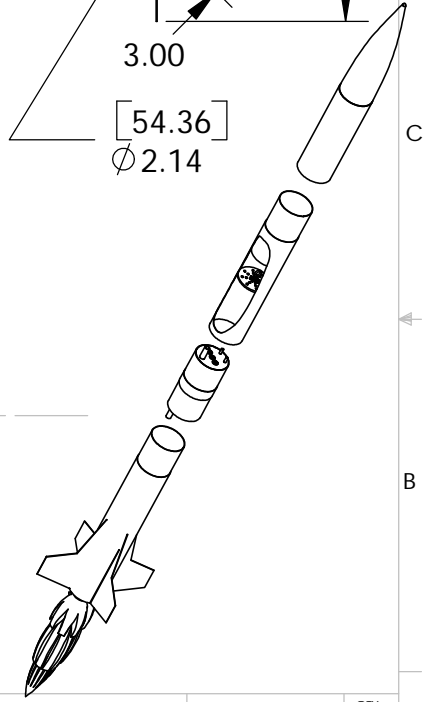
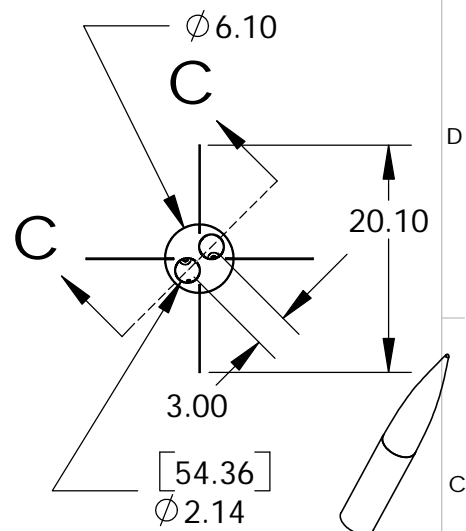
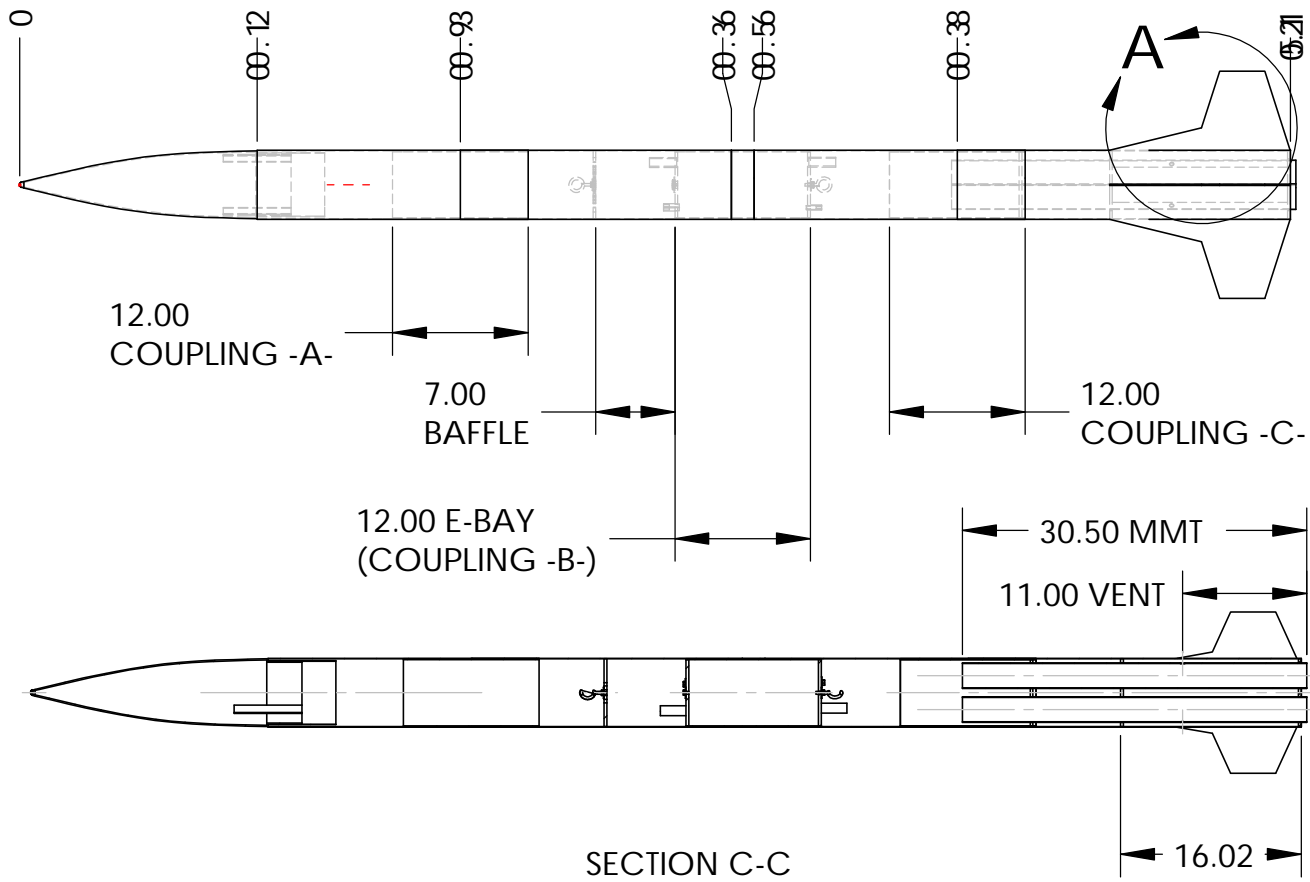


1 P / A - 8
 CE / SR - 8
 DE / D - 2
 D
 C
 B
 A

THE INFORMATION CONTAINED IN THIS DRAWING IS THE SOLE PROPERTY OF X-ROCKETS. ANY REPRODUCTION IN PART OR WHOLE WITHOUT THE WRITTEN PERMISSION OF X-ROCKETS IS PROHIBITED.



GEMINOS-HYPERATT	5/14/03
ASSEMBLY	DATE
APPLICATION	

ITEM NO.	PART OR IDENTIFYING NO.	NOMENCLATURE OR DESCRIPTION	MATERIAL SPECIFICATION	QTY REQD
PARTS LIST				
UNLESS OTHERWISE SPECIFIED DIMENSIONS ARE INCHES.		CAD GENERATED DRAWING, DO NOT MANUALLY UPDATE		
TOLERANCES ARE:		APPROVALS	DATE	
DECIMALS	ANGLES	DRAWN MLD	5/14/03	
.XX ± 0.004	2°			
.XXX ± 0.002	BREAK SHARP EDGES			
MATERIAL	6105-T5	CHECKED		
FINISH	-	RESP ENG		
DO NOT SCALE DRAWING		MFG ENG		
		QUAL ENG		
		SIZE A	DWG. NO. 6.0 CLUSTER ROCKET	REV. A
		SCALE 1:16	CAD FILE: 6.0 CLUSTER ROCKET	1 OF 1

X-ROCKETS

GemiNOS

8 7 6 5 4 3 2 1